

PLEASE CHECK WWW.MOLEX.COM FOR LATEST PART INFORMATION

Part Number: **0354301700**
Status: **Active**
Description: 6.00mm (.236") Tab Wire-to-Wire Terminal, Female, Two-Piece Type, Wire Range AVC (CAVC) 0.3-0.5mm square (.012-.020")

Documents:

[Drawing \(PDF\)](#) [Product Specification PS-35385-001 \(PDF\)](#)
[Product Specification PS-35270-001 \(PDF\)](#) [RoHS Certificate of Compliance \(PDF\)](#)

General

Product Family Crimp Terminals
 Series 35430
 Crimp Quality Equipment Yes
 Product Name N/A

Physical

Gender Female
 Material - Metal Copper-Nickel-Tin, High Copper
 Material - Plating Mating Tin
 Material - Plating Termination Tin
 Packaging Type Reel
 Plating min: Mating (µin) 32.00
 Plating min: Mating (µm) 0.800
 Plating min: Termination (µin) 32.00
 Plating min: Termination (µm) 0.80
 Termination Interface: Style Crimp or Compression
 Wire Insulation Diameter 1.80-2.00mm (.071-.079")
 Wire Size AWG 20, 22
 Wire Size mm² N/A

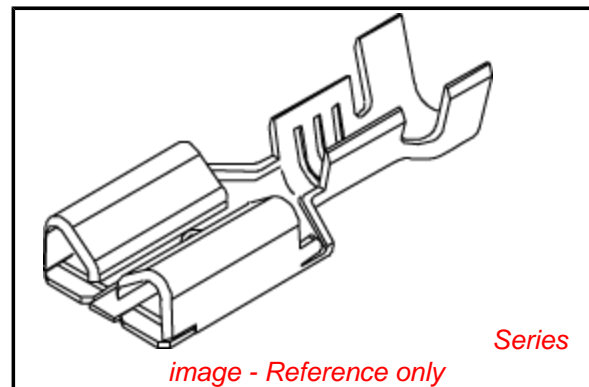
Electrical

Current - Maximum per Contact 30A

Material Info

Reference - Drawing Numbers

Product Specification PS-35270-001, PS-35385-001
 Sales Drawing SD-35430-001



EU RoHS

ELV and RoHS Compliant
REACH SVHC Contains SVHC: No
Halogen-Free Status

China RoHS



Need more information on product environmental compliance?

Email productcompliance@molex.com
 For a multiple part number RoHS Certificate of Compliance, [click here](#)

Please visit the [Contact Us](#) section for any non-product compliance questions.

Search Parts in this Series

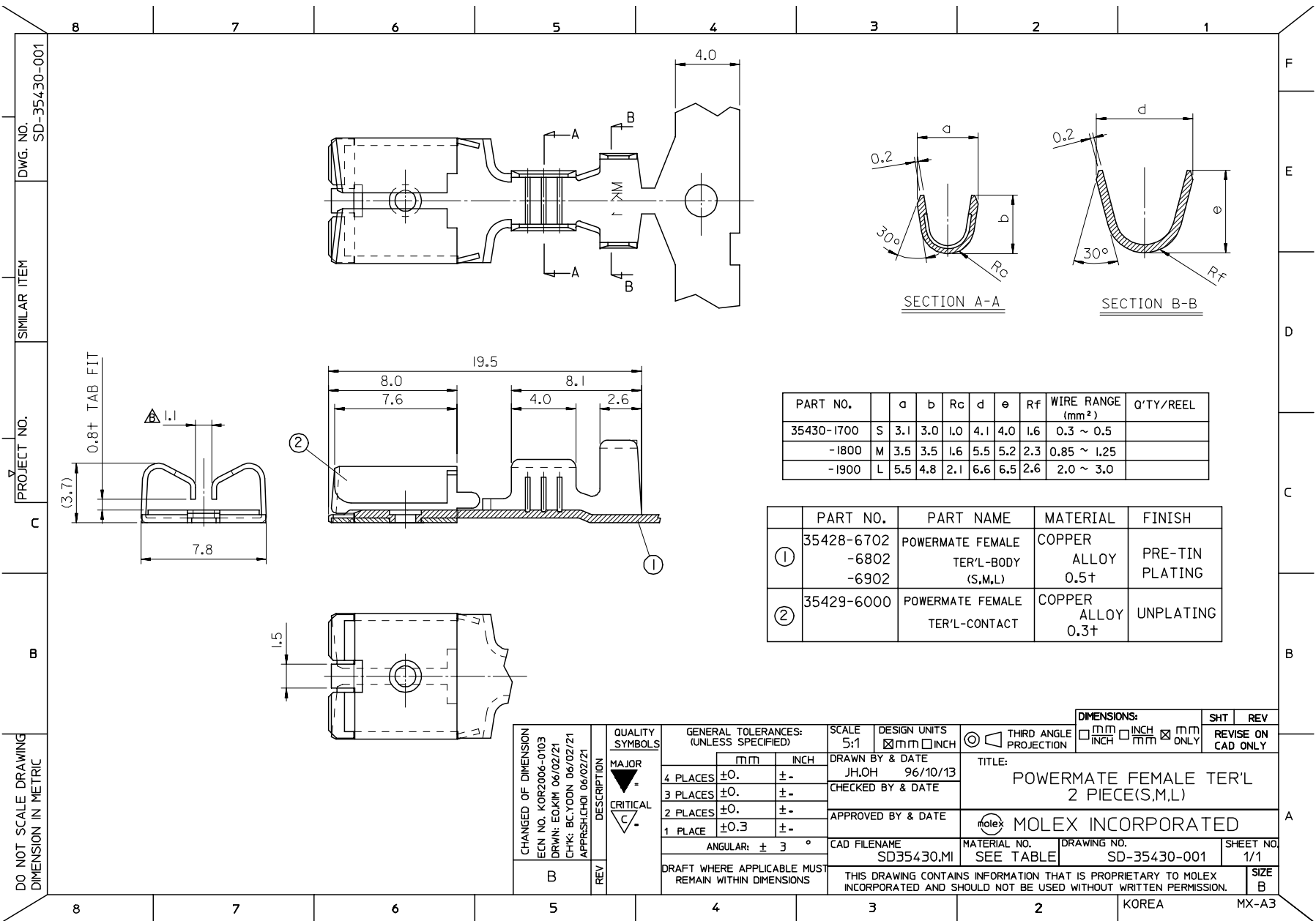
35430Series

Mates With

35725 Terminal

Use With

35270 Housing



PART NO.	a	b	Rc	d	e	Rf	WIRE RANGE (mm ²)	Q'TY/REEL
35430-1700	S	3.1	3.0	1.0	4.1	4.0	0.3 ~ 0.5	
-1800	M	3.5	3.5	1.6	5.5	5.2	0.85 ~ 1.25	
-1900	L	5.5	4.8	2.1	6.6	6.5	2.0 ~ 3.0	

	PART NO.	PART NAME	MATERIAL	FINISH
①	35428-6702 -6802 -6902	POWERMATE FEMALE TER'L-BODY (S,M,L)	COPPER ALLOY 0.5†	PRE-TIN PLATING
②	35429-6000	POWERMATE FEMALE TER'L-CONTACT	COPPER ALLOY 0.3†	UNPLATING

CHANGED OF DIMENSION ECN NO. KOR2006-0103 DRWN: EDKIM 06/02/21 CHK: BC.YOON 06/02/21 APPR:SH-CHOI 06/02/21	QUALITY SYMBOLS MAJOR CRITICAL REFERENCE	GENERAL TOLERANCES: (UNLESS SPECIFIED) mm INCH		SCALE 5:1	DESIGN UNITS <input checked="" type="checkbox"/> mm <input type="checkbox"/> INCH	DIMENSIONS: <input type="checkbox"/> mm <input type="checkbox"/> INCH <input checked="" type="checkbox"/> mm ONLY	SHT REV	
		4 PLACES ±0. ±-		DRAWN BY & DATE JH.OH 96/10/13		TITLE: POWERMATE FEMALE TER'L 2 PIECE(S,M,L)		
		3 PLACES ±0. ±-		CHECKED BY & DATE		MOLEX INCORPORATED		
		2 PLACES ±0. ±-		APPROVED BY & DATE		CAD FILENAME: SD35430.MI MATERIAL NO. DRAWING NO. SD-35430-001 SHEET NO. 1/1		
1 PLACE ±0.3 ±-		ANGULAR: ± 3 °		THIS DRAWING CONTAINS INFORMATION THAT IS PROPRIETARY TO MOLEX INCORPORATED AND SHOULD NOT BE USED WITHOUT WRITTEN PERMISSION.				
DRAFT WHERE APPLICABLE MUST REMAIN WITHIN DIMENSIONS						KOREA MX-A3		

MATERIAL		SEE TABLE	
GENERAL TOLERANCE		DIMENSION : *0.3	
ANGLE :		DRAWN BY 961013 J.K.OH CHK'D BY	
DIMENSION CLASSIFICATION		APP'D BY SCALE 5:1	
<input checked="" type="checkbox"/> : CRITICAL <input type="checkbox"/> : MAJOR <input type="checkbox"/> : REFERENCE		TITLE: POWERMATE FEMALE TER'L 2PIECE(S,M,L)	
A NEW RELEASE	971129	SHEET 1/1	
LTR REVISION RECORD	ECN DATE	ASS'Y PART DESCRIPTION ENG. NO.	
REVISE ONLY ON CAD SYSTEM		ENG. NO. SD 35430-1700,1800,1900 REV A	

DWG. NO. SD-35430-001
 SIMILAR ITEM
 PROJECT NO.
 DO NOT SCALE DRAWING DIMENSION IN METRIC

8 7 6 5 4 3 2 1

F
E
D
C
B
A